

## MOD 5 – ASSEMBLY INSTRUCTIONS

### Parts List

- A** - 4 x Main Beams, scarfed one end, pre-drilled – 2.43mtrs Length
- B** - 7 x Cross Rafter, scarfed both ends – 2.7mtrs Length
- C** - 4 x Posts Notched and Pre-Drilled - 2.4mtrs Length
- D** - 2 x Centre Posts Notched – 2.4mtrs Length
- E** - 14 x Struts Pre-Drilled
- F** - 28 x Angle Brackets
- G** - 4 x Coach Bolt Sets (bolt, washer and nut)
- H** - 168 x Wood Screws (for angle brackets) 25mm x No.8
- I** - 28 x Wood Screws (for struts) 50mm x No.8
- J** - 2 x 'T' Brackets plus non-recessed, self-tapping screws
- K** - 6 x Post Fixings (Spike, Concrete-In or Bolt-Down incl. ankerbolts)

Fig 1. - Module 5

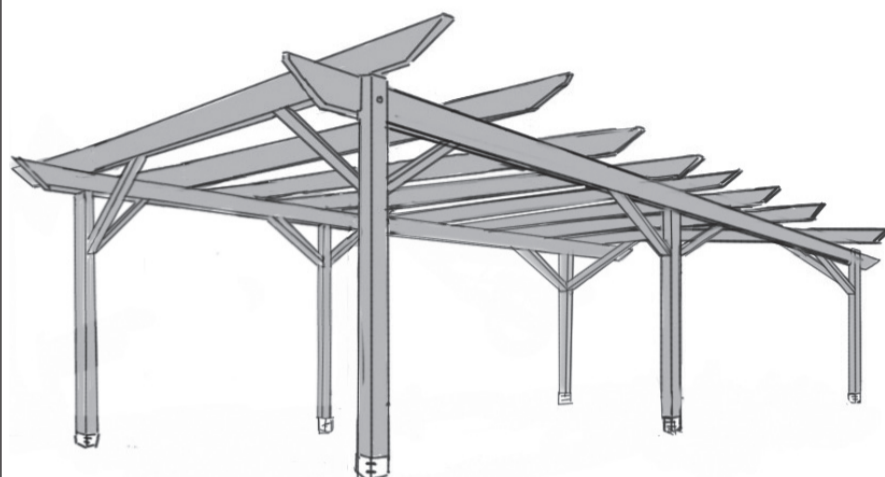
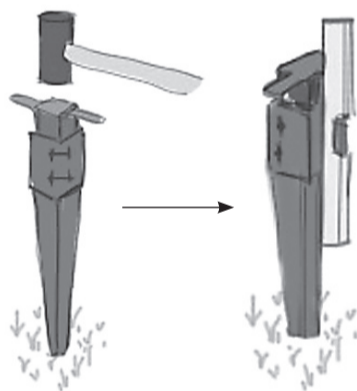
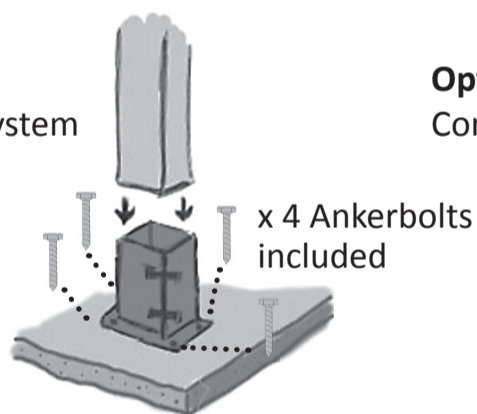


Fig 2. - Fitting of Post Supports

**Option 1:**  
Original Spiked System



**Option 2:**  
Bolt Down System



**Option 3:**  
Concrete-in System

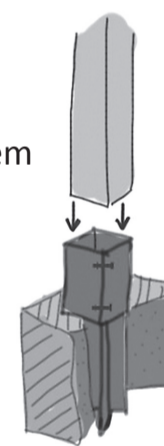
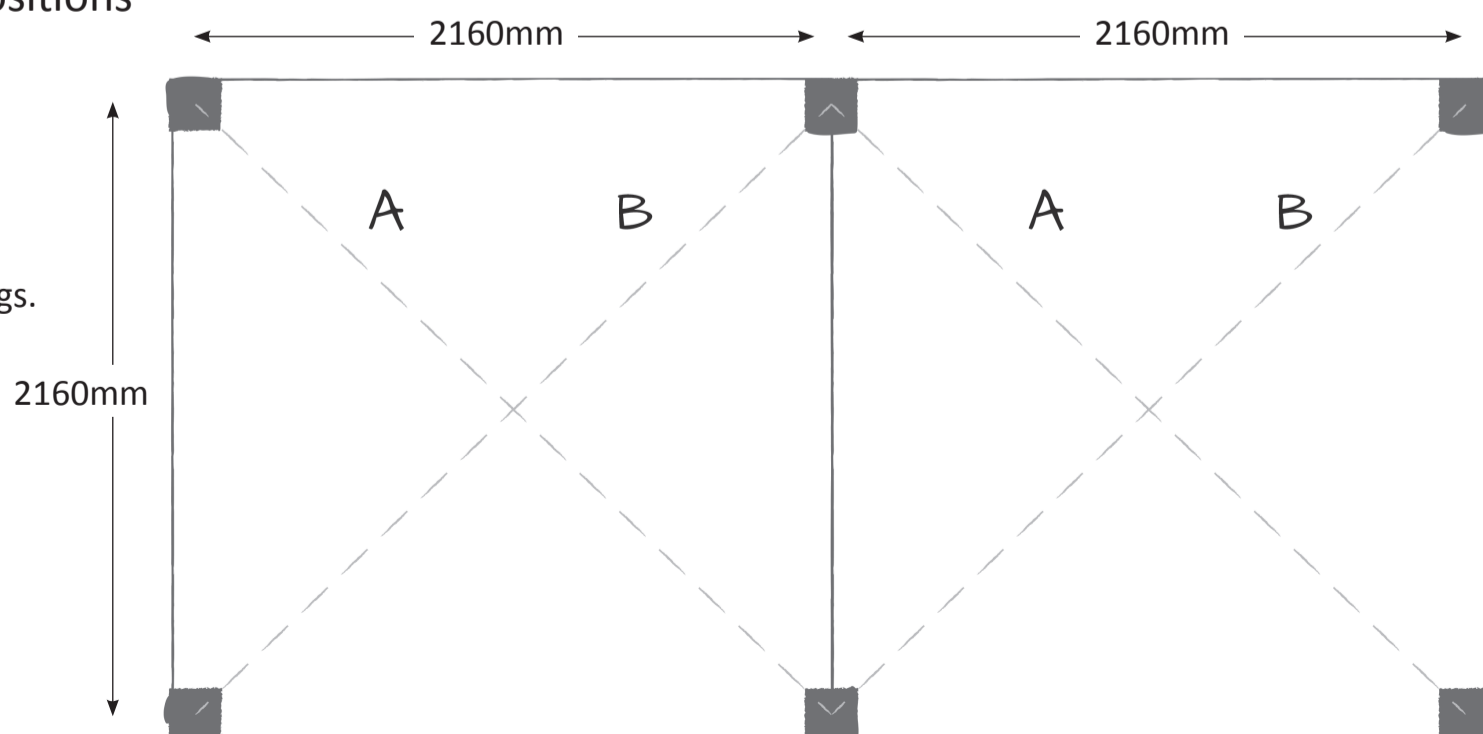


Fig 3. - Marking Out Post Positions

With a measure make sure lines A and B are the same length.

\* N.B.: Please take measurement dimensions to CENTRE of post fixings.



Artistic impression – not to scale

Fig 4. - Fitting Main Beams

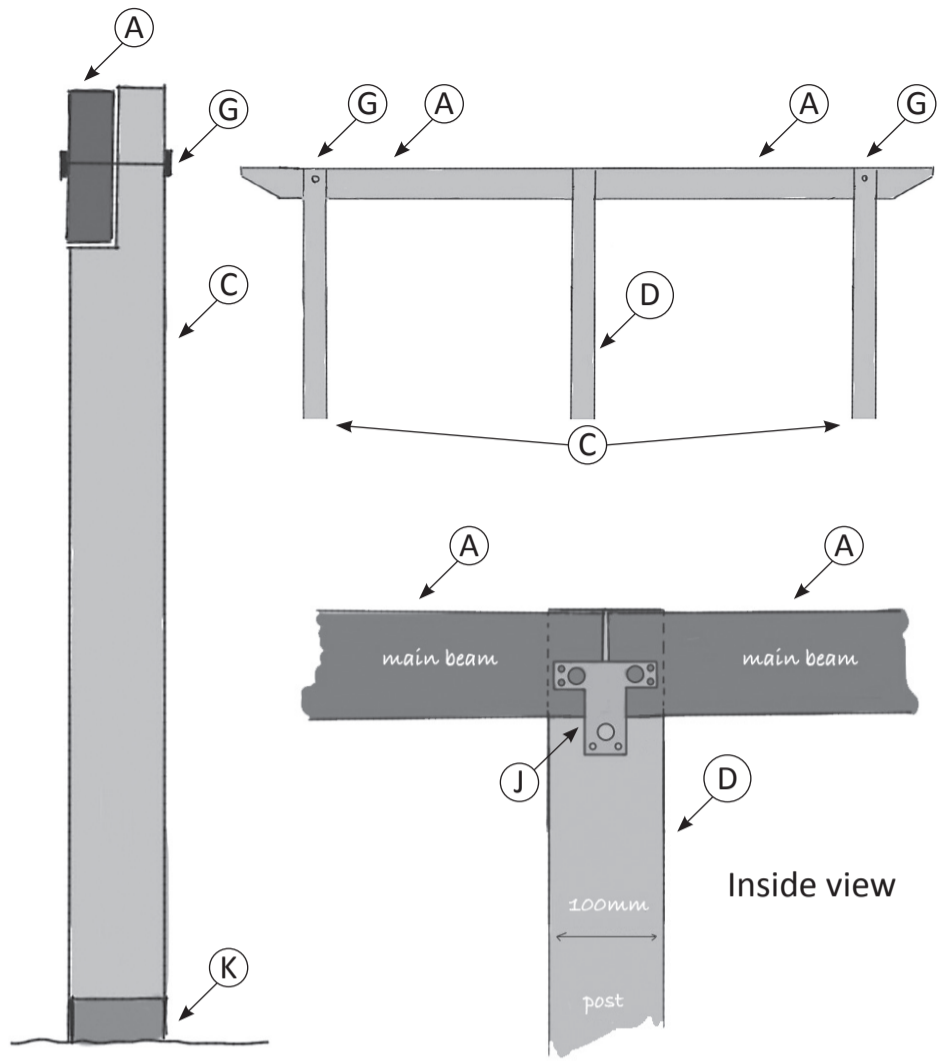


Fig 5. - Attaching Cross Rafters to Main Beams

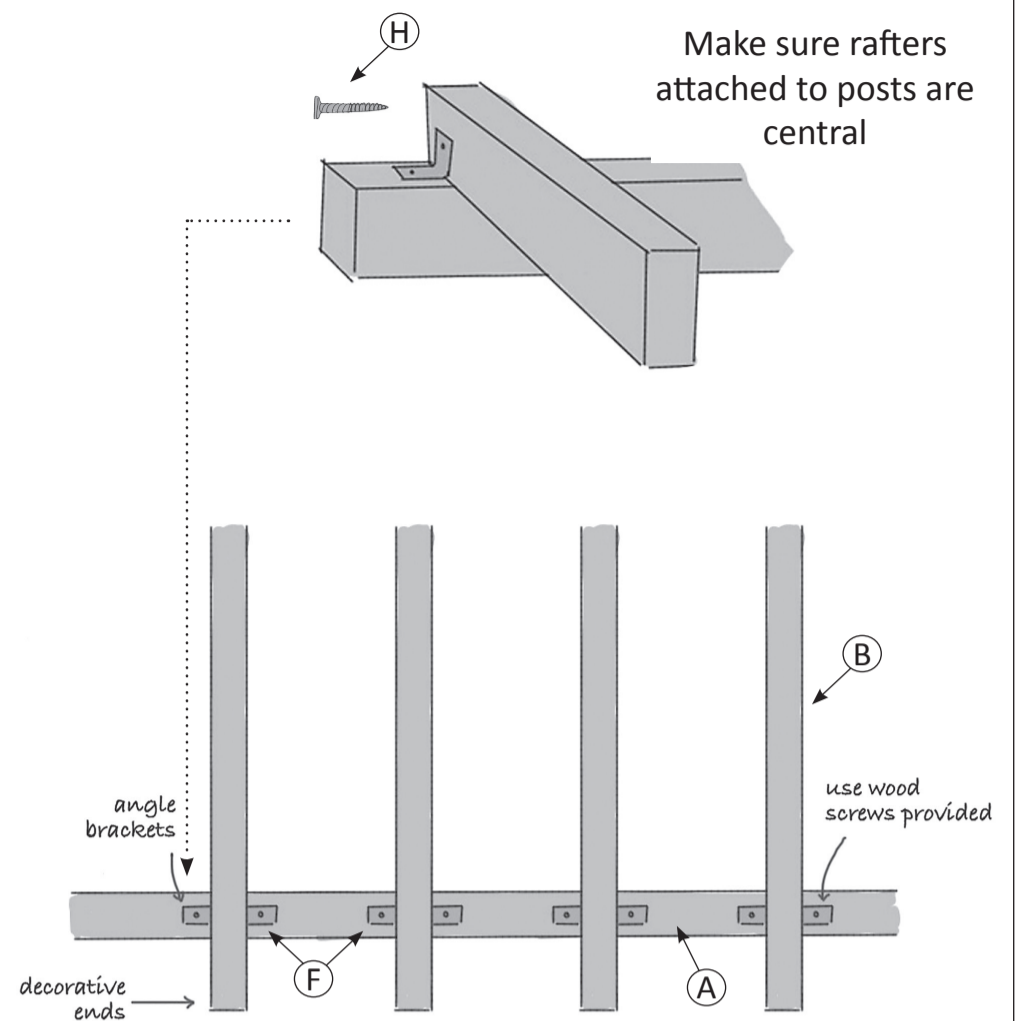


Fig 6. - Fixing Struts

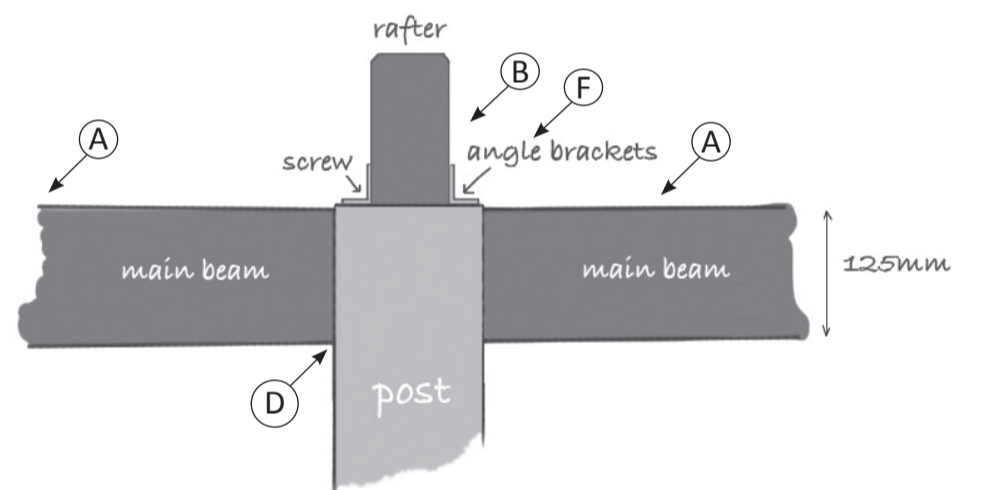
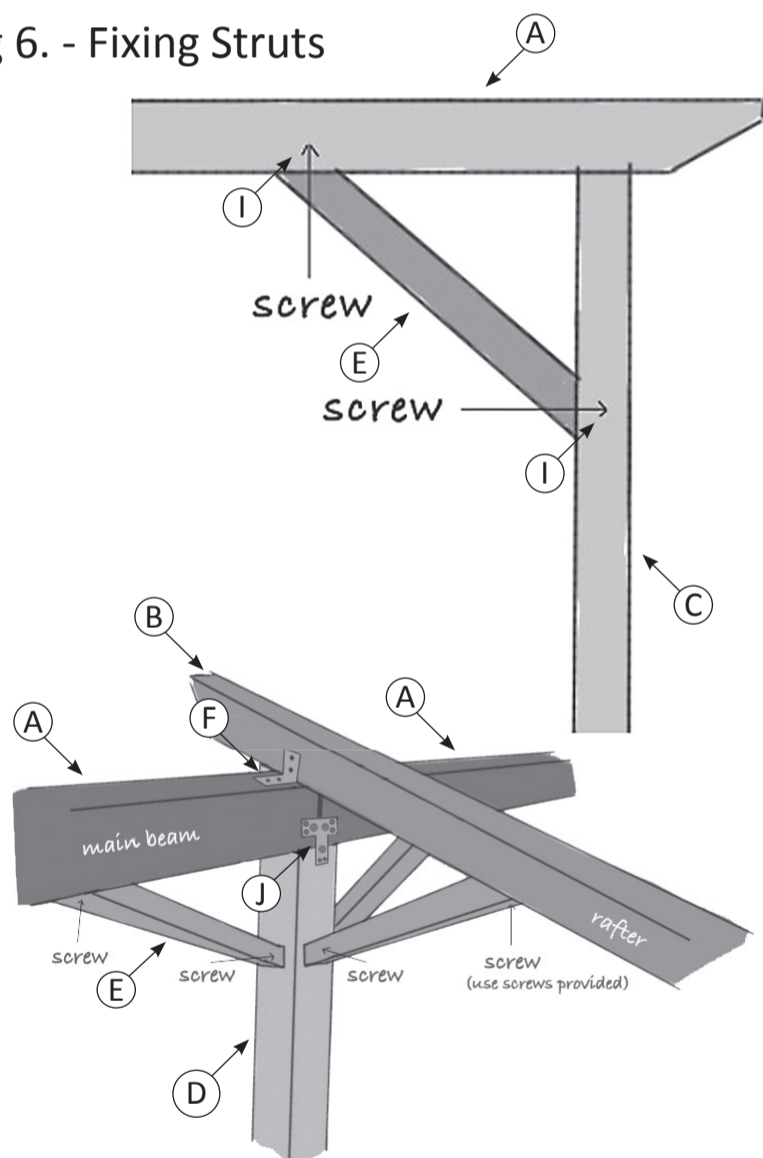


Fig 7. - Finish

As some of the screws & bolts may have become loose during assembly, it is important to re-check that they are tight and ensure they are securely fastened.