

MOD 6 – ASSEMBLY INSTRUCTIONS

Parts List

- A** - 4 x Main Beams, scarfed one end, pre-drilled – 2.43mtrs Length
- B** - 2 x Extension Boards – 2.16mtrs Length
- C** - 10 x Cross Rafter, scarfed both ends – 2.7mtrs Length
- D** - 4 x Posts Notched and Pre-Drilled - 2.4mtrs Length
- E** - 4 x Centre Posts Notched – 2.4mtrs Length
- F** - 20 x Struts Pre-Drilled
- G** - 40 x Angle Brackets
- H** - 4 x Coach Bolt Sets (bolt, washer and nut)
- I** - 240 x Wood Screws (for angle brackets) 25mm x No.8
- J** - 40 x Wood Screws (for struts) 50mm x No.8
- K** - 4 x 'T' Brackets plus non-recessed, self-tapping screws
- L** - 8 x Post Fixings (Spike, Concrete-In or Bolt-Down incl. ankerbolts)

Fig 1. - Module 6

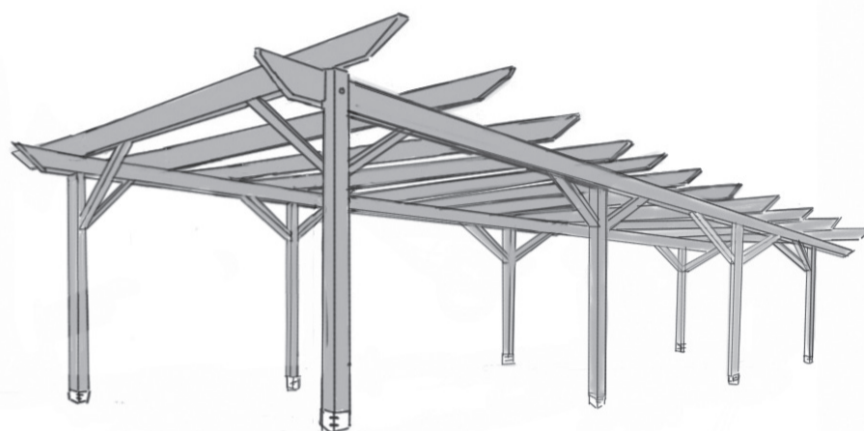
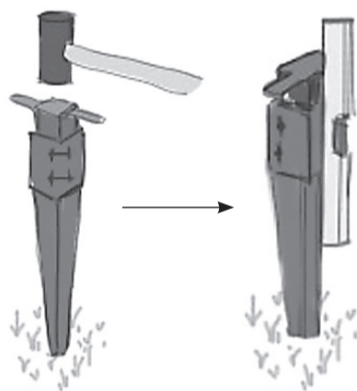
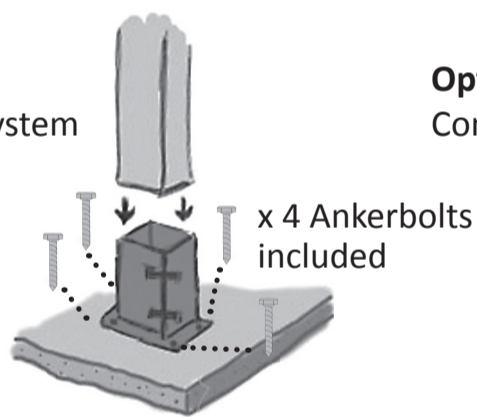


Fig 2. - Fitting of Post Supports

Option 1:
Original Spiked System



Option 2:
Bolt Down System



Option 3:
Concrete-in System

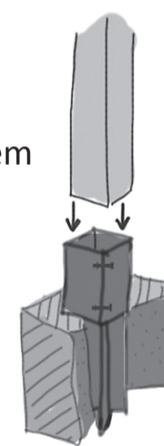


Fig 3. - Marking Out Post Positions

With a measure make sure lines A and B are the same length.

* N.B.: Please take measurement dimensions to CENTRE of post fixings.

Artistic impression – not to scale

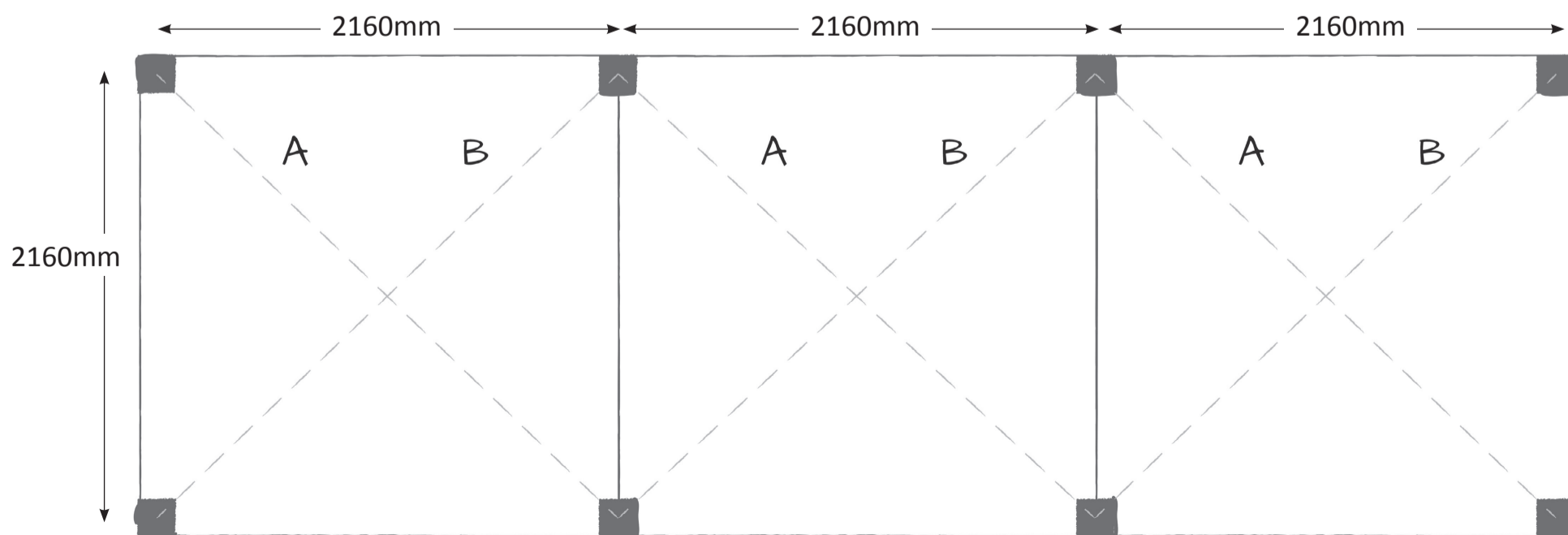


Fig 4. - Fitting Main Beams

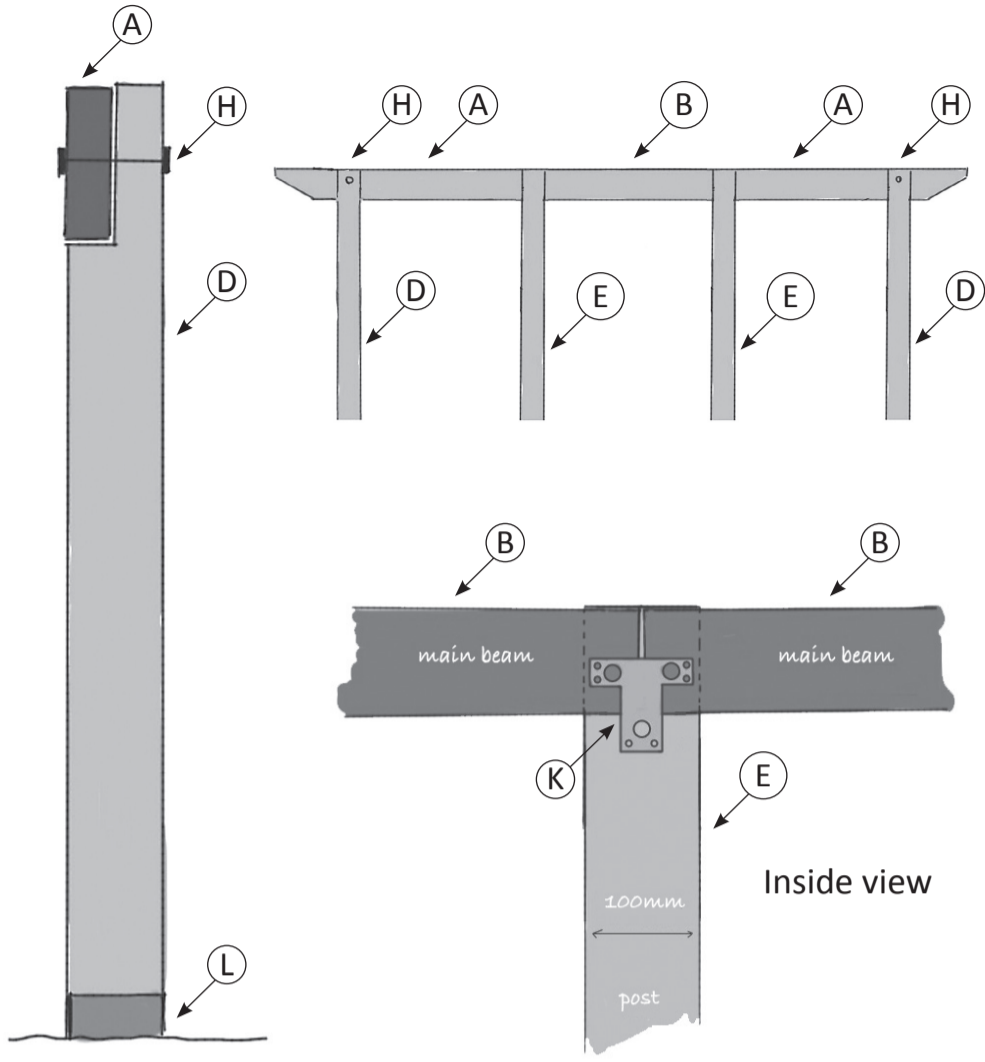


Fig 5. - Attaching Cross Rafters to Main Beams

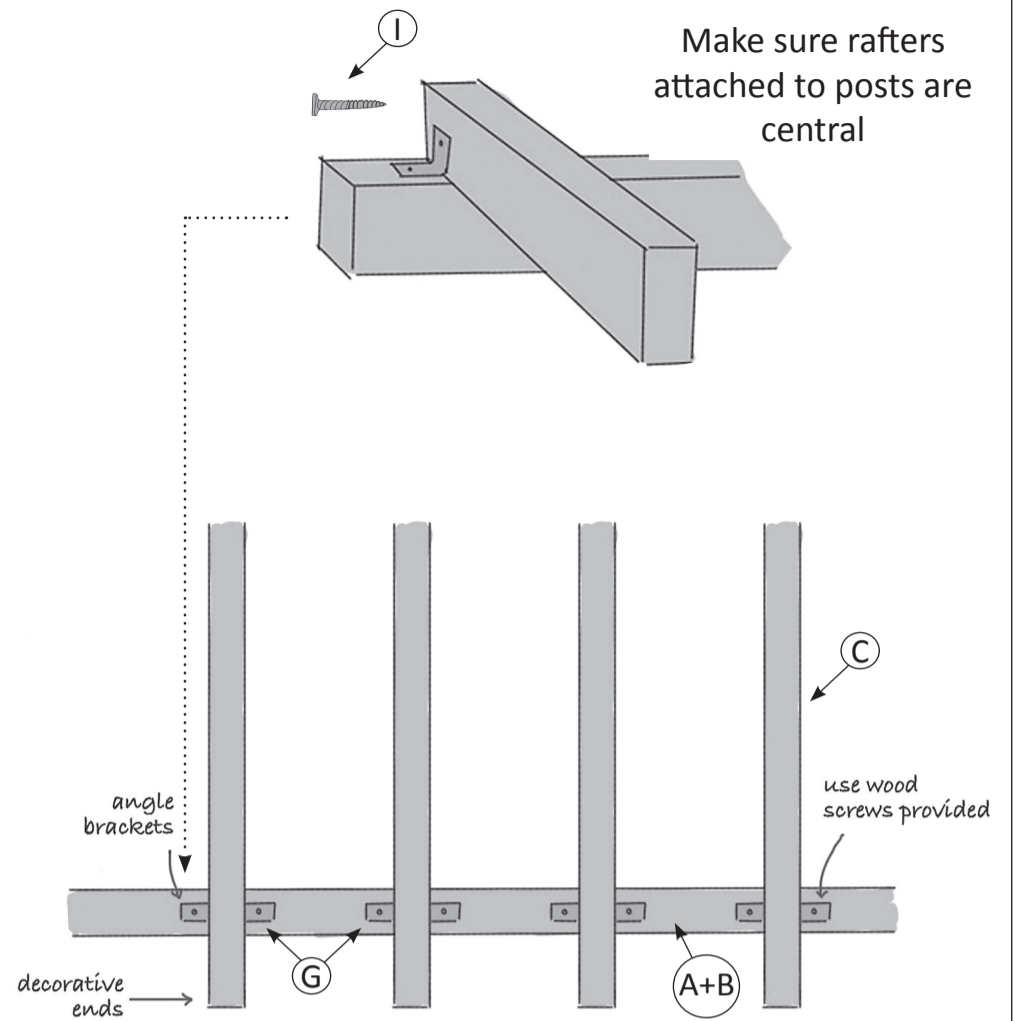


Fig 6. - Fixing Struts

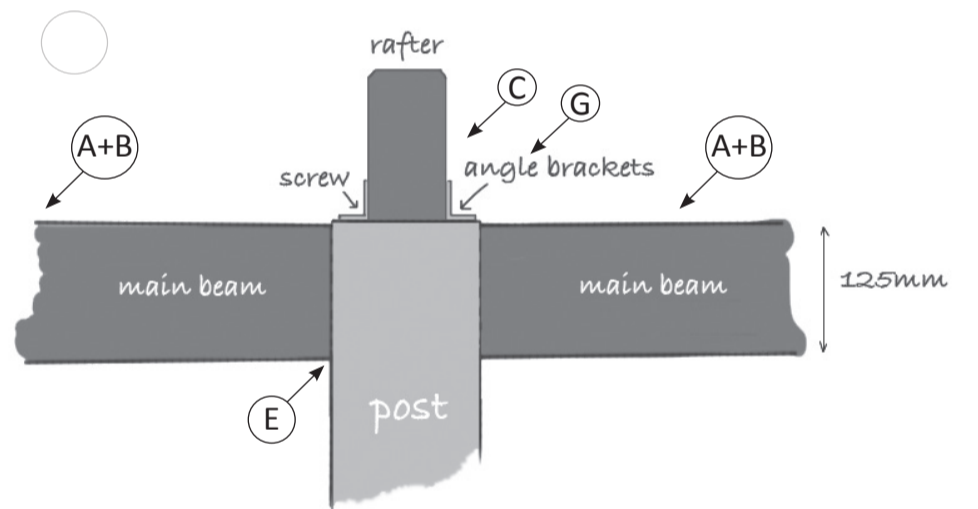
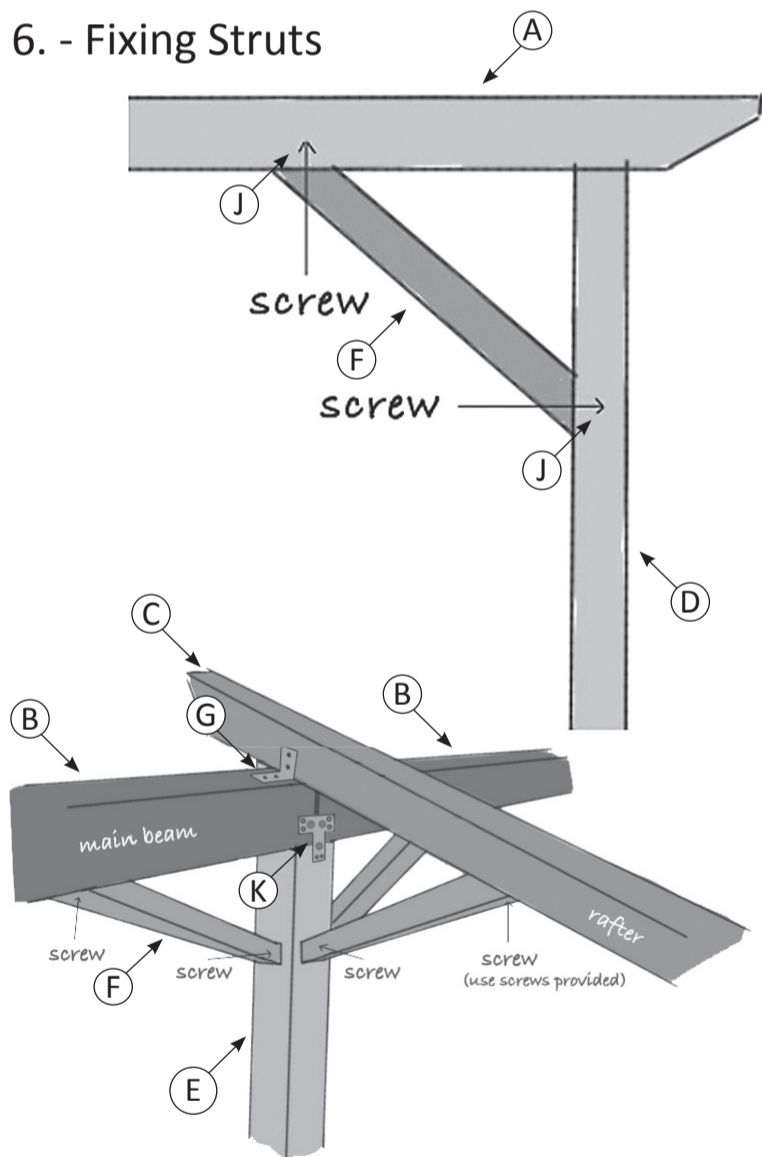


Fig 7. - Finish

As some of the screws & bolts may have become loose during assembly, it is important to re-check that they are tight and ensure they are securely fastened.